

Price List for Brakes

| | |
|------------|---------------|
| Effective: | Nov 22, 2006 |
| Replaces | Sept 16, 2004 |

Perigrip Brakes

Discount Category **40**

| Size | 4" | 6" | 8" | 10" | 12" |
|---------------------------------------|---------------|---------------|---------------|---------------|---------------|
| 575 or 230/460 VAC Brake (less wheel) | \$2986 | \$4298 | \$5169 | \$6843 | \$9281 |
| Part Number 575 Volt Brake | 404713 | 406713 | 408713 | 410703 | 412709 |
| Part Number 230/460 Volt Brake | 404745 | 406744 | 408751 | 410746 | 412749 |
| BRAKE WHEEL (pilot bored) | \$736 | \$933 | \$1286 | \$1590 | \$2091 |
| Part Number | A3.21040-02 | A3.21040-03 | A3.21040-04 | A3.21040-05 | A3.21040-06 |

PM Brakes

Discount Category **41**

| SIZE | TYPE | PART NUMBER | PRICE | BRAKE WHEEL (pilot bored) | PRICE | |
|------|---|---------------------|------------------------------------|------------------------------|----------------|-----------------|
| 4" | 575 VAC WITH RECTIFIER (less wheel) | PM04.1046J.4F2B | \$2,935 | A3.21040-02 | \$736 | |
| | ALL OTHER VOLTAGES – AC & DC (less wheel) | 90 V DC 230/460V | PM04.1012B.4F2B PM04.1062S.4F2B | | | \$3,449 |
| | | | | | | |
| 6" | 575 VAC WITH RECTIFIER (less wheel) | PM06.2027Q.4G2B | \$4,123 | A3.21040-03 | \$933 | |
| | ALL OTHER VOLTAGES – AC & DC (less wheel) | 90 V DC 230/460V | PM06.2103C.4G2B PM06.2108M.4G2B | | | \$4,710 |
| | | | | | | |
| 8" | 575 VAC WITH RECTIFIER (less wheel) | PM08.3044G.4G2B | \$5,016 | A3.21040-04 | \$1,286 | |
| | ALL OTHER VOLTAGES – AC & DC (less wheel) | 90 V DC 230/460V | PM08.3077C.4G2B PM08.3083V.4G2B | | | \$5,712 |
| | | | | | | |
| 10" | 575 VAC WITH RECTIFIER (less wheel) | PM10.4044G.4G2B | \$6,518 | A3.21040-05 | \$1,590 | |
| | ALL OTHER VOLTAGES – AC & DC (less wheel) | 90 V DC 230/460V | PM10.4109C.4G2B PM10.4108V.4G2B | | | \$7,305 |
| | | | | | | |
| 12" | 575 VAC WITH RECTIFIER (less wheel) | PM12.5045G.4G2B | \$8,963 | A3.21040-06 | \$2,091 | |
| | ALL OTHER VOLTAGES – AC & DC (less wheel) | 90 V DC 230/460 | PM12.5092C.4G2B PM12.5096V.4G2B | | | \$9,900 |
| | | | | | | |
| 15" | 575 VAC WITH RECTIFIER (less wheel) | PM15.6072G.4D2B | \$15,775 | A3.21040-07 | \$8,909 | |
| | ALL OTHER VOLTAGES – AC & DC (less wheel) | 90 V DC 230/460V | PM15.6060C.4O2B PM15.6087V.4G2B | | | \$17,282 |
| | | | | | | |
| 18" | 575 VAC WITH RECTIFIER (less wheel) | PM18.7XXXG.4D2B | | | | |
| | ALL OTHER VOLTAGES – AC & DC (less wheel) | 90 V DC 230/460V | PM18.7XXXC.4D2B PM18.7XXXV.4D2B | | | |
| | | | | | | |
| 21" | 575 VAC WITH RECTIFIER (less wheel) | PM21.8XXXG.4D2B | | | | |
| | ALL OTHER VOLTAGES – AC & DC (less wheel) | 90 V DC 230/460V | PM21.8XXXC.4D2B PM21.8XXXV.4D2B | | | |
| | | | | | | |
| 24" | 575 VAC WITH RECTIFIER (less wheel) | PM24.8XXXG.4D2B | | | | |
| | ALL OTHER VOLTAGES – AC & DC (less wheel) | 90 V DC 230/460V | PM24.8XXXC.4D2B PM24.8XXXV.4D2B | | | |
| | | | | | | |

XXX = Winding to be advised upon application.
i.e. Hoist, Conveyer etc.

18", 21" & 24" Brakes are manufactured as specials and not considered as stock items.

Part Numbers for the 460 volt brakes are the same as the 230/460 volt. The rectifier has a link removed for 460 volt and becomes a 1/2 wave rectifier, the 230 volt coil has a full wave rectifier with the link connected on the rectifier.

Price List for Brakes

| | |
|------------|---------------|
| Effective: | Nov 22, 2006 |
| Replaces | Sept 16, 2004 |

PMA Brakes

| | |
|-------------------|-----------|
| Discount Category | 41 |
|-------------------|-----------|

| SIZE | TYPE | VOLT | PART NUMBER | PRICE | BRAKE WHEEL (pilot bored) | PRICE |
|------|---|----------|-----------------|------------------|------------------------------|-----------------|
| 8" | 575 VAC WITH RECTIFIER (less wheel) | 575V | PA08.3044G.4G2B | \$8,773 | A3.23671-11 | \$2,759 |
| | ALL OTHER VOLTAGES - AC & DC (less wheel) | 90V DC | PA08.3077C.4G2B | | | |
| | | 230/460V | PA08.3083V.4G2B | | | |
| 10" | 575 VAC WITH RECTIFIER (less wheel) | 575V | PA10.4044G.4G2B | \$10,856 | A3.23672-11 | \$2,958 |
| | ALL OTHER VOLTAGES - AC & DC (less wheel) | 90V DC | PA10.4109C.4G2B | | | |
| | | 230/460V | PA10.4108V.4G2B | | | |
| 13" | 575 VAC WITH RECTIFIER (less wheel) | 575V | PA13.5045G.4G2B | \$13,589 | A3.23673-11 | \$4,657 |
| | ALL OTHER VOLTAGES - AC & DC (less wheel) | 90V DC | PA13.5092C.4G2B | | | |
| | | 230/460V | PA13.5096V.4G2B | | | |
| 16" | 575 VAC WITH RECTIFIER (less wheel) | 575V | PA16.6072G.4D2B | \$21,511 | A3.23674-11 | \$6,818 |
| | ALL OTHER VOLTAGES - AC & DC (less wheel) | 90V DC | PA16.6060C.4D2B | | | |
| | | 230/460V | PA16.6087V.4D2B | | | |
| 19" | 575 VAC WITH RECTIFIER (less wheel) | 575V | PA19.7041G.4D2G | \$37,856 | A3.23675-11 | \$9,839 |
| | ALL OTHER VOLTAGES - AC & DC (less wheel) | 90V DC | PA19.7020C.4D2G | | | |
| | | | | | | |
| 23" | 575 VAC WITH RECTIFIER (less wheel) | 575V | PA23.9013G.4D2B | \$58,600 | A3.23676-11 | \$15,157 |
| | ALL OTHER VOLTAGES - AC & DC (less wheel) | 90V DC | PA23.9012C.4D2B | | | |
| | | | | | | |
| 30" | 230 VOLT - DC (less wheel) | 230V DC | PA30.0003X.4D2G | \$137,300 | TBA | TBA |
| | 90V - DC (less wheel) | 90V DC | PA30.0004X.4D2B | | | |
| | | | | | | |

PMD Brakes

| | |
|-------------------|-----------|
| Discount Category | 41 |
|-------------------|-----------|

| SIZE | TYPE | VOLT | PART NUMBER | PRICE | BRAKE WHEEL (pilot bored) | PRICE |
|------|---|----------|-------------|-------|------------------------------|-------|
| 160 | 575 VAC WITH RECTIFIER (less wheel) | 575V | | | A3.23671-11 | |
| | ALL OTHER VOLTAGES - AC & DC (less wheel) | 90V DC | | | | |
| | | 230/460V | | | | |
| 200 | 575 VAC WITH RECTIFIER (less wheel) | 575V | | | A3.23672-11 | |
| | ALL OTHER VOLTAGES - AC & DC (less wheel) | 90V DC | | | | |
| | | 230/460V | | | | |
| 250 | 575 VAC WITH RECTIFIER (less wheel) | 575V | | | A3.23673-11 | |
| | ALL OTHER VOLTAGES - AC & DC (less wheel) | 90V DC | | | | |
| | | 230/460V | | | | |
| 315 | 575 VAC WITH RECTIFIER (less wheel) | 575V | | | A3.23674-11 | |
| | ALL OTHER VOLTAGES - AC & DC (less wheel) | 90V DC | | | | |
| | | 230/460V | | | | |
| 400 | 575 VAC WITH RECTIFIER (less wheel) | 575V | | | A3.23675-11 | |
| | ALL OTHER VOLTAGES - AC & DC (less wheel) | 90V DC | | | | |
| | | | | | | |
| 500 | 575 VAC WITH RECTIFIER (less wheel) | 575V | | | A3.23676-11 | |
| | ALL OTHER VOLTAGES - AC & DC (less wheel) | 90V DC | | | | |
| | | | | | | |
| 630 | 230 VOLT - DC (less wheel) | 230V DC | | | TBA | |
| | 90V - DC (less wheel) | 90V DC | | | | |
| | | | | | | |

Price List for Brakes

| | |
|------------|---------------|
| Effective: | Nov 22, 2006 |
| Replaces | Sept 16, 2004 |

AEWK Brakes

| SIZE | THRUSTOR | PART NUMBER | PRICE | SIZE | THRUSTOR | PART NUMBER | PRICE |
|------|----------|-------------|--------------------------------------|------|--------------------------------------|-------------|--------------------------------------|
| 8" | HD25/5 | 460 575 | AE06.B43437.MG2B AE06.B45437.MG2B | 19" | HD125/5 | 460 575 | AE19.F43138.PD2B AE19.F43138.PD2B |
| | 10" | HD25/5 | 460 575 | | AE10.B43437.MG2B AE10.B45437.MG2B | HD200/8 | 460 575 |
| 13" | HD75/5 | 460 575 | AE13.D43138.NG2B AE13.D45138.NG2B | 23" | HD200/12 | 460 575 | AE23.M43138.SD2B AE23.M45138.SD2B |
| 16" | HD75/5 | 460 575 | AE16.D43138.NG2B AE16.D45138.NG2B | 30" | HD300/12 | 460 575 | AE30.Z83138.TD2B AE30.Z83138.TD2B |
| | | | \$11,654 | | | | \$27,420 |
| | | | \$11,822 | | | | \$30,797 |
| | | | \$16,552 | | | | \$41,738 |
| | | | \$22,101 | | | | \$51,860 |

MEWK Brakes

| SIZE | THRUSTOR | PART NUMBER | PRICE | SIZE | THRUSTOR | PART NUMBER | PRICE |
|------|----------|-------------|------------|------|----------|-------------|-------|
| 160 | HD25/5 | 460 575 | | 400 | HD75/5 | 460 575 | |
| | 200 | HD25/5 | 460 575 | | HD125/6 | 460 575 | |
| 250 | HD75/5 | 460 575 | | 500 | HD125/6 | 460 575 | |
| | HD25/5 | 460 575 | | | HD200/6 | 460 575 | |
| 315 | HD75/5 | 460 575 | | 630 | HD200/12 | 460 575 | |
| | HD25/5 | 460 575 | | | HD200/12 | 460 575 | |
| | HD75/5 | 460 575 | | 710 | HD200/12 | 460 575 | |
| | HD125/6 | 460 575 | | | | | |

Price List for Brakes

| | |
|------------|---------------|
| Effective: | Nov 22, 2006 |
| Replaces | Sept 16, 2004 |

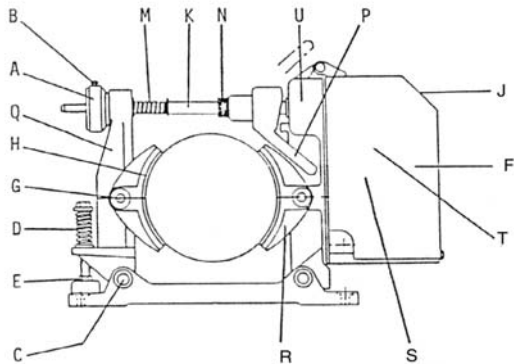
HD Thrustor

| SIZE | VOLTAGE | PART NUMBER | PRICE | SIZE | VOLTAGE | PART NUMBER | PRICE |
|-------|---------|-------------|-------|--------|---------|-------------|-------|
| 25/5 | 460 | | | 200/6 | 460 | | |
| | 575 | | | | 575 | | |
| 50/5 | 460 | | | 125/12 | 460 | | |
| | 575 | | | | 575 | | |
| 75/5 | 460 | | | 200/12 | 460 | | |
| | 575 | | | | 575 | | |
| 125/6 | 460 | | | | | | |
| | 575 | | | | | | |

Price List for Parts

| | |
|------------|---------------|
| Effective: | Nov 22, 2006 |
| Replaces | Sept 16, 2004 |

Spare Parts - Perigrip Brake



- | | |
|--------------------------------------|------------------------------------|
| A Knurled Adjustment Nut | K Square Spring Rod |
| B Locking Plunger | M Release Spring |
| C Free Arm Pivot | N Circlips |
| D Spring-Loaded Centering Pin | P Hand Release Lever |
| E Lock Nut | Q Free Arm |
| F Clapper | R Self-Aligning Brake Shoes |
| G Steel Shoe Pivots | S Operating Arm |
| H Brake Linings | T Retaining Spring |
| J Hinged Magnet Cover | U Brake Operating Spring |
| | Z Base |

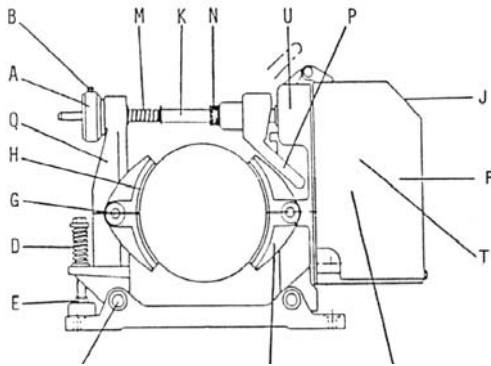
Discount Category **40**

| ITEM | DESCRIPTION | 4" | 6" | 8" | 10" | 12" |
|--------------------|------------------------------|-----------------|-----------------|-----------------|-----------------|-----------------|
| — | Operating Coil | \$500 | \$564 | \$619 | \$719 | \$910 |
| | Part Number – 575 Volt | 4.ACP-13 | 6.ACP-13 | 8.ACP-13 | 10.ACP-3 | 12.ACP-9 |
| | Part Number – 230/460 Volt | 4.ACP-45 | 6.ACP-44 | 8.ACP-51 | 10.ACP-46 | 12.ACP-49 |
| C&G | Pivot Pin Sets – | \$151 | \$199 | \$199 | \$274 | \$356 |
| | | PG04.PIN.KITSET | PG06.PIN.KITSET | PG06.PIN.KITSET | PG10.PIN.KITSET | PG12.PIN.KITSET |
| D/E | Spring Loaded Pin | \$73 | \$91 | \$127 | \$136 | \$164 |
| | Part Number | 436900 | 737000 | 737100 | 737200 | 737300 |
| F/S/T | Magnet Assembly | \$1,760 | \$2,137 | \$2,719 | \$4,169 | \$5,037 |
| | Part Number | 173020 | 172689 | 172720 | 177325 | 177328 |
| J | Magnet Cover | \$109 | \$164 | \$191 | \$318 | \$428 |
| | Part Number | 172938-01 | 173055-01 | 173057-01 | 173064-01 | 173067-01 |
| | Magnet Cover Tray | \$60 | \$64 | \$64 | \$76 | \$85 |
| | Part Number | 172938-02 | 173055-02 | 173057-02 | 173064-02 | 173067-02 |
| P | Hand Release Lever | \$113 | \$128 | \$166 | \$166 | \$189 |
| | Part Number | 286873 | 286872 | 286871 | 286871 | 286870 |
| Q | Free Arm | \$267 | \$284 | \$409 | \$418 | \$591 |
| | Part Number | 266714 | 266715 | 172695 | 172457 | 172410 |
| H/R | Lined Brake Shoes - complete | \$672 | \$748 | \$1,155 | \$1,322 | \$2,326 |
| | Part Number | 385134 | 385135 | 385136 | 385137 | 385138 |
| T | Retaining Spring | \$127 | \$136 | \$246 | \$363 | \$363 |
| | Part Number | 172632 | 172681 | 436600 | 436700 | 436700 |
| Z | Base | \$453 | \$566 | \$855 | \$1,273 | \$1,483 |
| | Part Number | 172576 | 155643 | 172713 | 172458 | 172408 |
| A/B/K/M/N/U | Spring Rod Assembly | \$861 | \$936 | \$1,012 | \$1,171 | \$1,171 |
| | Part Number | A3.25395-01 | A3.25395-02 | A3.25395-03 | A3.25395-04 | A3.25395-05 |

Price List for Parts

| | |
|------------|---------------|
| Effective: | Nov 22, 2006 |
| Replaces | Sept 16, 2004 |

Spare Parts - PM Brake



| | |
|----------------------------------|------------------------------|
| A Adjusting Nut | P Gap/Guard Indicator |
| B Shoe Support | Q Armature |
| C Pivot Pin | R Indicator Pointer |
| D Spring Rod | S Armature Support |
| E Balance Screw | T Base |
| F Friction Screw | U Adjusting Nut |
| G Spring Clip | V Magnet Pot |
| H Shoe Pins | W Anti-Sticking Stud |
| J&K Lined Brake Shoes | X Split Pins |
| L Pivot Pin | Y Split Pins |
| M Pivot Pin | Z Armature Gap |
| N Spring | |

| | |
|-------------------|-----------|
| Discount Category | 41 |
|-------------------|-----------|

| ITEM | DESCRIPTION | 4" | 6" | 8" | 10" | 12" | 15" | 18" |
|----------------|---------------------------------|----------------|----------------|--------------------|----------------|-----------------|----------------|-------------|
| A/U/D/N | Adjusting Nut | \$240 | \$253 | \$513 | \$513 | \$766 | \$862 | \$1,293 |
| | Part Number | A3.25123-21 | A3.25123-22 | A3.25123-23 | A3.25123-24 | A3.25123-25 | A3.25123-26 | A3.25123-27 |
| B | Shoe Support | \$174 | \$237 | \$340 | \$490 | \$791 | \$1,012 | \$3,787 |
| | Part Number | B.12199-11 | B.11792-11 | E.11903-11 | E.11893-11 | E.11917-11 | E.11845-11 | E.12060-11 |
| C/H/L/M | Pivot Pin Sets | \$363 | \$418 | \$527 | \$527 | \$732 | \$1,026 | \$1,888 |
| | Part Number | A3.25399-21 | A3.25399-22 | A3.25399-23 | A3.25399-24 | A3.25399-25 | A3.25399-26 | A3.25399-27 |
| E | Balance Nut/Bolt Ass'y | \$28 | \$36 | \$43 | \$43 | \$43 | \$43 | \$63 |
| | Nut Part Number | 7550600 | KS.20742-19 | KS.20742-70 | KS.20742-70 | KS.20742-71 | KS.20742-71 | KS.20742-12 |
| | Bolt Part Number | 4400.5828-018 | KS.20749-46 | 4500.5426-010 | 4500.5426-010 | KS.20749.53 | KS.20749-56 | KS.60418-40 |
| F | Friction Screw | \$8 | \$8 | \$8 | \$8 | \$8 | \$8 | \$8 |
| | Part Number | A4.22925-02 | A4.22925-02 | A4.22925-02 | A4.22925-02 | A4.22925-02 | A4.22925-02 | A4.22925-02 |
| G | Spring Clips (Price per set -4) | \$40 | \$40 | \$40 | \$40 | \$40 | \$41 | \$41 |
| | Part Number | KS.10582 | KS.10582 | KS.10582 | KS.60212 | KS.60212 | KS.60213 | KS.60213 |
| J/K | Lined Brake Shoes (Pair) | \$506 | \$640 | \$1,051 | \$1,154 | \$1,739 | \$2,562 | \$5,052 |
| | Part Number | A2.22411-23 | A2.22412-27 | A2.22413-27 | A2.22414-27 | A2.22415-27 | A2.22416-27 | A2.22417-27 |
| P | Gap/Guard Indicator | \$87 | \$87 | \$87 | \$107 | \$107 | \$126 | \$245 |
| | Part Number | A1.22976-01 | A1.22976-02 | A1.22976-03 | A1.22976-04 | A1.22976-05 | A1.22976-06 | A1.22976-07 |
| Q | Armature Plate | \$229 | \$328 | \$391 | \$470 | \$443 | \$704 | \$846 |
| | Part Number | A1.22987-11 | A4.22906-01 | A2.22906-12 | A2.22906-13 | A2.22906-14 | A2.22906-15 | A2.22906-16 |
| R | Indicator Pointer | \$40 | \$47 | \$55 | \$55 | \$55 | \$63 | \$63 |
| | Part Number | A4.22978 | A4.22977-01 | A4.22977-02 | A4.22977-02 | A4.22977-02 | A4.22977-03 | A4.22977-03 |
| S | Armature Support | \$336 | \$399 | \$561 | \$814 | \$1,095 | \$1,467 | \$5,127 |
| | Part Number | B.12199-12 | B.11792-12 | E.11903-12 | E.11893-12 | E.11917-12 | E.11845-12 | E.12060-12 |
| T | Base | \$387 | \$486 | \$561 | \$949 | \$1,349 | \$1,830 | \$4,566 |
| | Part Number | B.112198-11 | B.11793-11 | B.11904-11 | B.11891-11 | B.11919-11 | B.11860-11 | B.11861-11 |
| V | Magnet Coil Pot | \$1,799 | \$2,281 | \$3,407 | \$4,550 | \$5,242 | \$7,352 | \$11,720 |
| | Part Nbr - 575 Volt | SM04.1046J-004 | SM06.2027Q-004 | SM08.3044G-004 | SM10.4044G-004 | SM12.5045G-004 | SM15.6072G-004 | |
| | Part Nbr - 90 Volt DC | SM04.1012B-004 | SM06.2103C-004 | SM08.3077C-004 | SM10.4109C-004 | SM12.5092C-004 | SM15.6060C-004 | |
| | Part Nbr - 460 Volt | SM04.1062S-004 | SM06.2108M-004 | SM08.3083V-004 | SM10.4108V-004 | SM12.5096V-004 | SM15.6087V-004 | |
| W | Anti-Stick Stud | | \$20 | \$20 | \$20 | \$20 | \$20 | \$40 |
| | Part Number | | A4.22979-01 | A4.22979-01 | A4.22979-01 | A4.22979-01 | A4.22979-01 | A4.22979-02 |
| X&Y | Split Pins (6) | \$28 | \$51 | \$51 | \$51 | \$51 | \$51 | \$51 |
| | (2 off) | | KS.60376-03 | KS.60376-05 | KS.60376-05 | KS.60376-05 | KS.60376-05 | KS.60376-08 |
| | (4 off) | KS.60376-03 | KS.60376-05 | KS.60376-08 | KS.60376-08 | KS.60376-08 | KS.60376-08 | KS.60376-11 |
| — | Rectifier - 1 phase | \$447 | \$447 | \$569 | \$569 | \$569 | \$569 | \$569 |
| | Part Number | A3.23344 | A3.23345 | KS.10667 | KS.10667 | KS.10667 | KS.10667 | KS.10671 |
| | Rectifier - 3 phase | \$605 | \$605 | \$743 | \$743 | \$743 | \$743 | \$743 |
| | Part Number | | KS.10858 | KS.10700 | KS.10700 | KS.10700 | KS.10700 | KS.10700 |
| | D.C. Terminal Panel | \$103 | \$103 | \$103 | \$103 | \$103 | \$103 | \$103 |
| | Part Number | KS.10788 | KS.10635 | KS.10635 | KS.10635 | KS.10635 | KS.10635 | KS.10635 |
| | Linings Spare (3915F) | \$249 | \$285 | \$312 | \$312 | \$621 | \$688 | \$1,210 |
| | Part Number | A3.23117-21 | A3.23118-22 | A3.23118-23 | A3.23118-23 | A3.23118-25 | A3.23118-26 | A3.23118-27 |
| | Main Spring Flanges | | | \$51 | \$51 | \$67 | \$67 | \$75 |
| | Part Number | | | A3.21379-50 | A3.21379-50 | A3.21379-51 | A3.21379-51 | A3.21379-52 |

Special 50 Hz. models available. Please consult local Brook Crompton sales office for pricing on brakes with non-standard voltage supply and/or frequency.